

Item Number
RAM-VB-110

RAM No-Drill™ Seat Bases

National Products, Inc.

Vehicle base for the
FORD EXPEDITION (1997-2008)
FORD F-150 (1997-2003)
FORD F-150 HERITAGE (2004)
FORD F-250 LIGHT DUTY (1997-2004)
FORD WINDSTAR (2004-2007)

SPECIFICATIONS

Placement

Passenger side floor board, under seat
May require the relocation of the under seat jack
in some models.

Drilling Required

No - uses existing seat bolts

Seat Configuration

Bucket/Bench

Construction/Finish

Steel/Black Powdercoat

Dimensions

A = 15.25", B = 8", C = 2.5", D = 6.25,
E = 19.75" Hole Center = 12.75"

Pole or Pedestal

Ordered Separately

Weight

10.7 lbs.

Features

Installs in minutes with no drilling required
Step feature allows optimized placement of mount with a minimal
amount of intrusion of passenger leg space

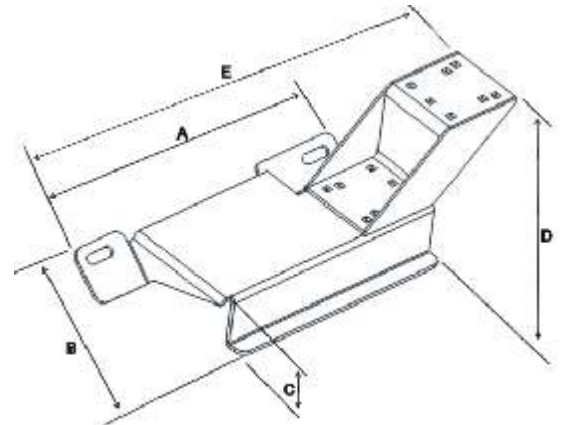
Misc.

One Offset Universal Mount step is included with this vehicle base.
Additional steps can be ordered for stacking.

National Products, Inc.
Phone: 206-763-8361
Fax: 206-763-9615
Address: 1205 S Orr St
Seattle, WA 98108
Website: www.ram-mount.com
Email: staff@ram-mount.com



Shown In Use



RAM-VB-110, SHOWN WITH
RAM-VB-SB4 RISER (INCLUDED)



Item Number
RAM-VB-110

RAM No-Drill™ Seat Bases

National Products, Inc.

Vehicle base for the
FORD EXPEDITION (1997-2008)
FORD F-150 (1997-2003)
FORD F-150 HERITAGE (2004)
FORD F-250 LIGHT DUTY (1997-2004)
FORD WINDSTAR (2004-2007)

INSTALLATION INSTRUCTIONS

Later model year Ford Expeditions may require the use of the provided stand off kit. If this is the case for your vehicle, you will need a T55 Torx bit, ½" and 9/16" socket wrench, and 3/8 drive wobble to facilitate the installation of this product.

1. Move the passenger seat to the rearmost setting and remove the plastic trim cover over the seat frame leg closest to the passenger door. Store for later use.
2. Remove the front seat rail bolts that fasten the passenger seat brackets to the vehicle floor. This requires a T55 Torx bit. Once removed, store these bolts for later use.
3. Assemble the riser to the no drill base prior to installing into the vehicle. If you have a complete kit, connect the lower female pole to the riser as well.
4. If you have a 2007 or newer vehicle, you will need the extra hardware supplied with this kit including the 2 qty round stand offs, 2 qty black fender washers, and 2 qty 2" long steel hex bolts. Place the stand off inside the depression of the seat frame leg, the base over the top of the stand offs, then pass the bolt with washer through the base, stand off, and into the threaded hole in the floor board.
5. Once base is aligned and factory or supplied bolts are started to thread by hand, use the wrench to fully re-tighten the bolts securing the mount to the floor board.

Note that in some trucks, the jack under the seat will be blocked or interfere with installation. If this is the case Relocation of the jack will be necessary to complete installation.



National Products, Inc.
Phone: 206-763-8361
Fax: 206-763-9615
Address: 1205 S Orr St
Seattle, WA 98108
Website: www.ram-mount.com
Email: staff@ram-mount.com

